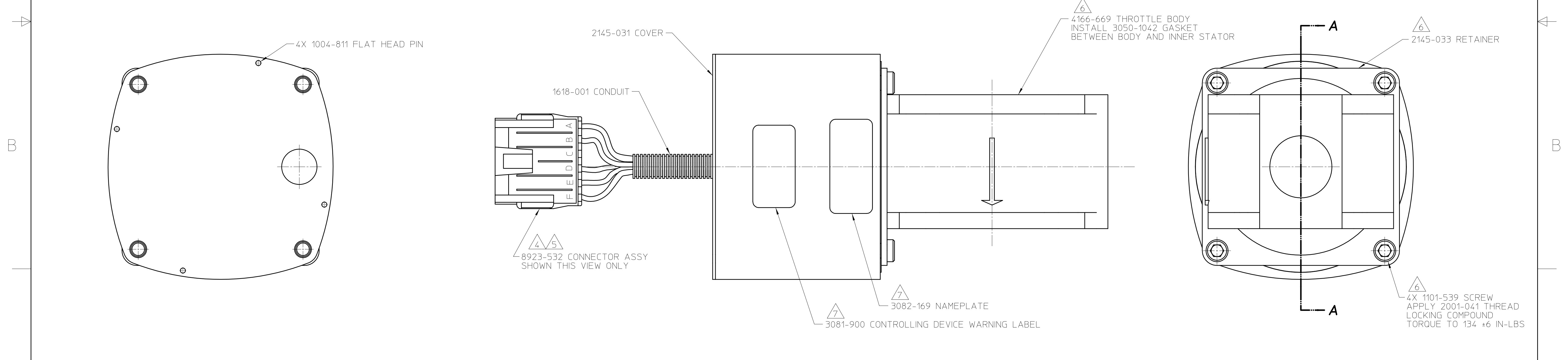
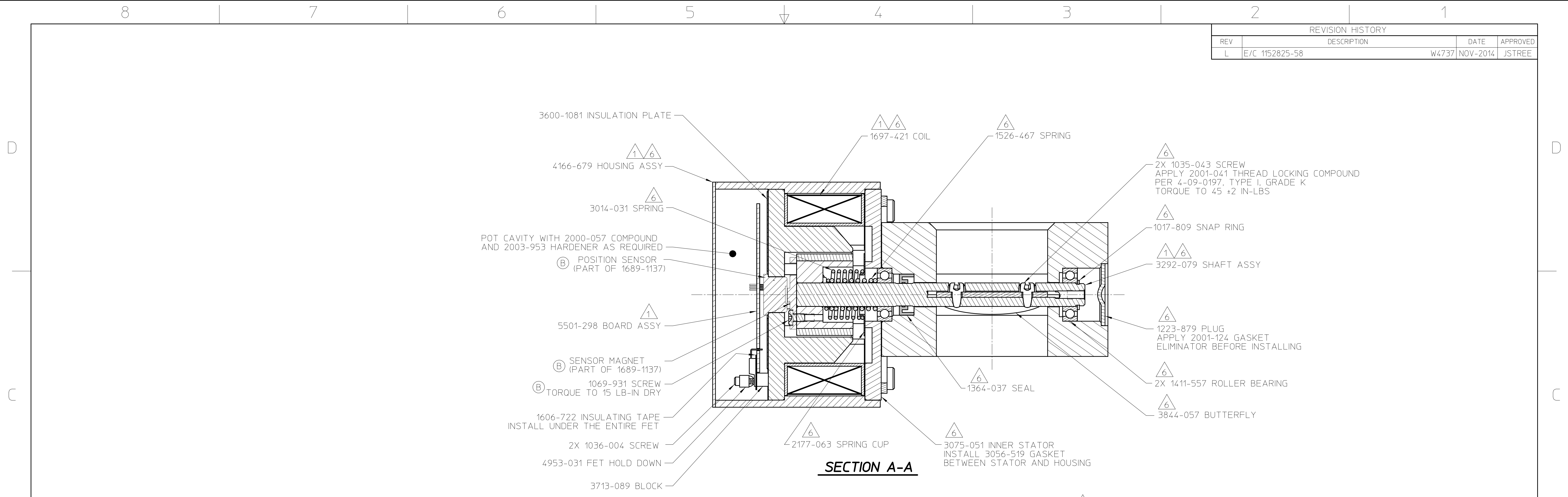


REVISION HISTORY			
REV	DESCRIPTION	DATE	APPROVED
L	E/C 1152825-58	W4737 NOV-2014	JSTREE



NOTES:

- 1 PARTS FURNISHED ASSEMBLED ONLY.
- 2 PARTS NOT SHOWN:  
4X 1082-021 .250-28 HEX HEADS BOLT. APPLY 2001-041 THREAD LOCKING COMPOUND, TORQUE TO 120 ±6 IN-LBS.  
1606-722 INSULATOR  
1629-367 STANDOFF  
1069-901 GROUND SCREW
- 3. REMOVED.
- 4 SEE 9971-241 WIRING DIAGRAM FOR DETAILS.

- 5 TERMINAL WIRE CRIMP PULL FORCE REQUIREMENT IS 20 LB. MIN.
- 6 ITEM IS PART OF 6101-046 FLOTECH SUB-ASSEMBLY.
- 7 LOCATE APPROXIMATELY AS SHOWN.

"THIS DRAWING OR ANY REPRODUCTION OF IT SHALL NOT BE USED FOR MANUFACTURE, PRODUCTION OR PROCUREMENT WITHOUT THE EXPRESS WRITTEN PERMISSION OF THE WOODWARD GOVERNOR COMPANY OR ONE OF ITS SUBSIDIARIES. USE OR REPRODUCTION FOR USE IN A NORMAL MANNER ASSOCIATED WITH GOODS OR SERVICE FURNISHED OR TENDERED BY WOODWARD GOVERNOR COMPANY OR ONE OF ITS SUBSIDIARIES, IS APPROVED."

MATERIALS:		UNLESS OTHERWISE SPECIFIED, DIMENSIONS ARE IN INCHES. DRAWING DEFINITIONS AND TOLERANCES SHALL BE FOUND IN 3-09-0285.		APPROVED DATE RLW AUG-1996		WOODWARD GOVERNOR COMPANY ENGINE CONTROLS FORT COLLINS, COLORADO, U.S.A.	
THIRD ANGLE PROJECTION		DRAWN DATE LGATES AUG-1996		CHECKED DATE LGATES AUG-1996		TITLE ACTUATOR FLOTECH, 60MM STD., STD. FLANGE, 4-20 MA, BALL BEARING	
		SCALE NTS		SIZE D		CAGE CODE 31361	
		DWG NO 8235-143		REV L		SHEET 1 OF 1	